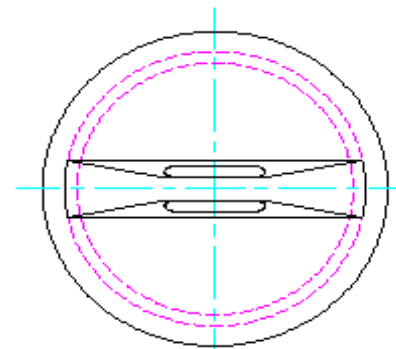
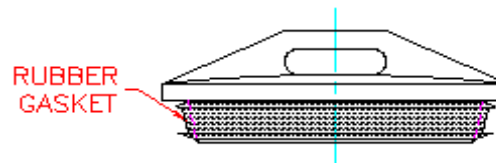


## END PLUGS 4" - 60" DIAMETER

PART #	PIPE SIZE
0833AA	8 in (200 mm)
1033AA	10 in (250 mm)
1233AA	12 in (300 mm)
1533AA	15 in (375 mm)
1833AA	18 in (450 mm)
2433AA	24 in (600 mm)
3033AA	30 in (750 mm)
3633AA	36 in (900 mm)
4233AA	42 in (1050 mm)
4833AA	48 in (1200 mm)
6033AA	60 in (1500 mm)



PLAN VIEW



FRONT VIEW

NOTE: ALL FITTINGS DIMENSIONS ARE FOR REFERENCE ONLY

© 2023 Advanced Drainage Systems, Inc.

	DRAWING #:	2110	
	DRAWN BY:	JCB	09.05.06
	APPROVED BY:	JCB	06.25.07
	REVISIONS:	TJR	3/12/2015