

# 45° Wye

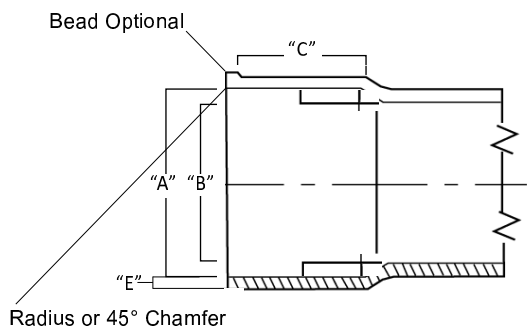
# TECHNICAL INFORMATION

### Fittings Socket Dimensions - Inches

Nominal Size	A	B	C
4"	4.235±0.009	4.210±0.009	1.75
6"	6.305±0.011	6.270±0.011	3.000

### Pipe Dimensions Minimum Wall Thickness

Nominal Size	Outside Diameter		Minimum Wall Thickness	
	Average	Tolerance on Average	HIPS	
4"	4.215	±0.009	E	
6"	6.275	±0.011	E	



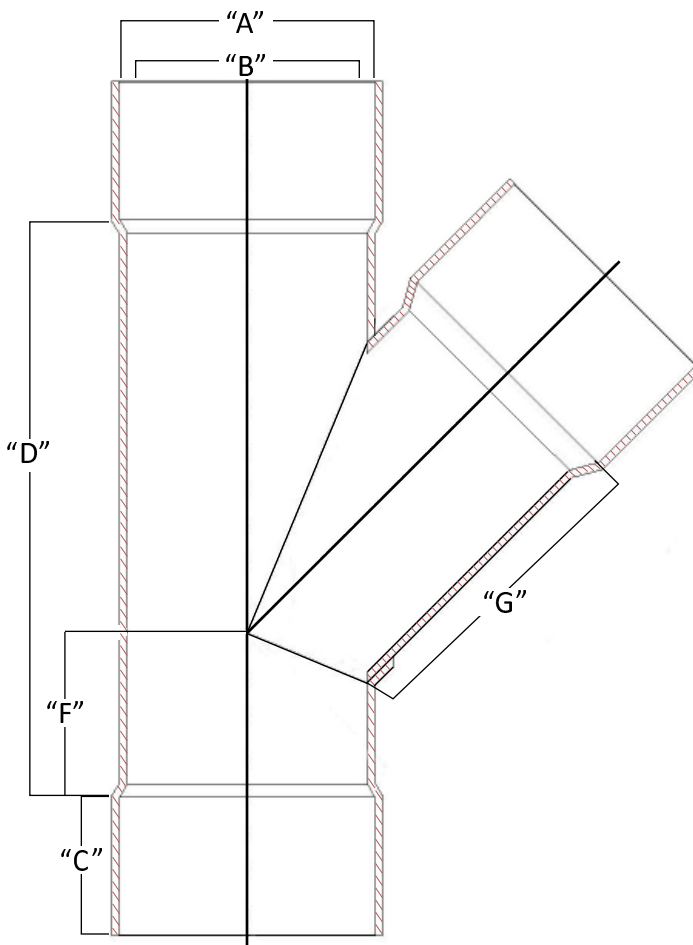
## 45° Wye

### Sewer Hub x Sewer Hub x Sewer Hub

Part #	Size	Desc.	D	F	G
V-904	4"	HxHxH	6.438	0.938	5.500
V-906	6"	HxHxH	9.375	1.500	7.785
V-9064	6x4"	HxHxH	6.410	0.152	6.688



**Normandy Products are proudly  
made in the USA.**



[www.normandyproducts.com](http://www.normandyproducts.com)

T: 800.322.9463 | F: 800.910.0134

324 Delaware Avenue | PO Box 446 | Oakmont PA 15139